



# SJIII 4626/32

## ELECTRIC SCISSOR LIFTS

### STANDARD FEATURES

- SKYCODED™ colour coded and numbered wiring system
- Tilt sensor 1.5 x 3.5
- Drivable at full height
- Variable speed, rear two wheel hydraulic drive
- Wet disc SAHR brakes
- Proportional controls for drive & lift functions
- 0.91 m Roll out extension deck
- 24V DC Power source
- 250 Ah Batteries
- Low voltage battery protection
- 25% Gradeability
- Solid rubber, non-marking tyres
- Pothole protection system
- Wiring for AC outlet on platform
- Tilt alarm with drive & lift cut-out
- All motion audible alarm
- Overload sensing system
- Lowering warning system
- Lanyard attachment points
- Operator horn
- Flashing light
- Half height spring hinged gate
- Hinged railing system
- Forklift pockets and tie down/lift lugs
- Relay based control system

### ACCESSORIES AND OPTIONS

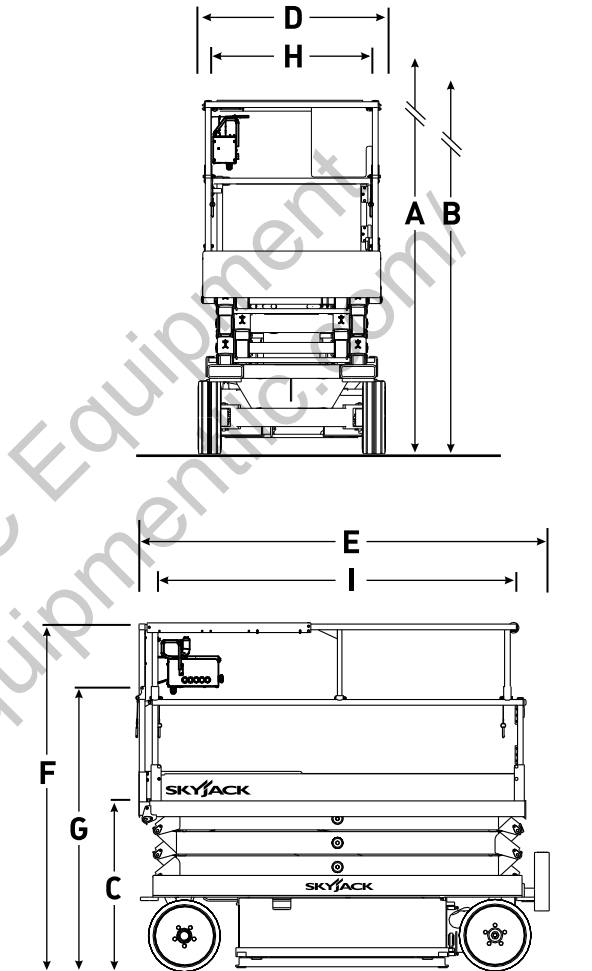
- AGM Batteries
- Dual flashing lights
- Full height spring hinged gate
- Light duty pipe rack
- Heavy duty pipe rack
- Board/drywall carrier
- Tool caddy
- Secondary Guarding Lift Enable (SGLE)
- ELEVATE telematics

† Standard lead times may be increased when optional equipment is added, consult factory.

‡ Capacities, and machine weights may differ when options are added.

## SJIII 4626/32 ELECTRIC SCISSOR LIFTS

Dimensions	SJIII 4626	SJIII 4632
<b>A</b> Work Height	9.92 m	11.75 m
<b>B</b> Raised Platform Height	7.92 m	9.75 m
<b>C</b> Lowered Platform Height	1.14 m	1.23 m
<b>D</b> Overall Width	1.17 m	1.17 m
<b>E</b> Overall Length	2.31 m	2.31 m
<b>F</b> Stowed Height (Rails Up)	2.15 m	2.24 m
<b>G</b> Stowed Height (Rails Down)	1.79 m	1.88 m
<b>H</b> Platform Width (Inside Dimension)	1.07 m	1.07 m
<b>I</b> Platform Length (Inside Dimension)	2.13 m	2.13 m
Specifications	SJIII 4626	SJIII 4632
Extension Deck (Roll Out)	0.91 m	0.91 m
Ground Clearance (Stowed)	8.89 cm	8.89 cm
Ground Clearance (Raised)	1.91 cm	1.91 cm
Wheelbase	1.75 m	1.75 m
Weight	2,760 kg	2,720 kg
Gradeability	25%	25%
Turning Radius (Inside)	1.21 m	1.21 m
Turning Radius (Outside)	2.37 m	2.37 m
Lift Time (With Rated Load)	54 sec	59 sec
Drive Speed (Stowed)	2.4 km/h	2.4 km/h
Drive Speed (Raised)	1.1 km/h	1.1 km/h
Maximum Drive Height	Full Height	Full Height
Capacity (Overall)	454 kg	318 kg
Maximum # of Persons (0 Wind Rating)	3	2
Maximum # of Persons (12.5 m/sec Wind Rating)	2	1



**Skyjack Australia Pty Ltd**  
 Unit 1, 35 Honeycomb Drive  
 Eastern Creek  
 NSW 2766  
 Australia  
 Phone +61 (0) 2 9854 0700  
 Fax +61 (0) 2 9854 0777  
 Email: jcranmer@skyjack.com

[www.skyjack.com](http://www.skyjack.com)

This brochure is for illustrative purpose only and based on the latest information at the time of printing.  
 Skyjack Inc. reserves the right to make changes at any time, without notice, to specifications, standard  
 and optional equipment. Consult the Operating Maintenance and Parts Manuals for proper procedures.  
 AS marked platforms are in conformance to Standard AS/NZS 1418.10:2011.