

4069LE

ELECTRIC SCISSOR LIFT



Performance

Platform Height—Elevated (Indoor & Outdoor)	40 ft	12.19 m
Platform Capacity (Indoor & Outdoor)	800 lb	362 kg
Capacity on Platform Extension	250 lb	113 kg
Number of Occupants (Indoor & Outdoor)	2	
Lift/Lower Time	54/50 sec	
Maximum Drive Height (Indoor & Outdoor)	30 ft	9.14 m
Weight*	11,500 lb	5,516 kg
Ground Bearing Pressure	61 PSI	4.29 kg/cm ²
Drive Speed		
Elevated	0.4 mph	0.64 kmph
Lowered	3.0 mph	4.8 kmph
Gradeability		
2WD	35%	
4WD	45%	
Tilt Rating		
Side to Side	3.0 degrees	
Fore and Aft	5.0 degrees	
Turning Radius		
Inside	90 in.	2.29 m
Outside	186 in.	4.72 m

Standard Specifications

Tires

- Standard 240/55-17.5 Foam-Filled Non-Marking Tires
- Optional Foam-Filled Sand/Turf Tires

Brakes

- Spring Applied Hydraulically Released Discs

Power Source

Batteries	8 x 6V, 370 amp-hr	
Charger	20 Amp, Automatic SCR Charger	
Electric Pump Motor	Series Wound	
Drive Motors	Two 5.5 hp Shunt Wound	
Generator Set (M models only)		
45 Amp Kubota	6 hp	4.47 kW
Engine Fuel Tank Capacity	4 gal.	15.14 L

Hydraulic System

Capacity	8.5 gal.	32.18 L
----------	----------	---------



Pump

Single Section Gear Pump

*Certain options or country standards will increase weight.

Standard Features

- 65 x 115 in. (1.65 x 2.92 m) Work Platform
- Full Time ATC—JLG Automatic Traction Control System
- Oscillating Axle
- Proportional Direct DC Electric Drive
- Proportional Lift Up
- 110V-AC Receptacle in Platform
- 8 x 6V, 370 amp-hr Batteries
- 3 ft Roll-Out Deck Extension
- On-Board Diagnostics with Common JLG Analyzer
- Fold-Down Hand Rails
- Forklift-able Battery Compartments with Quick Disconnect Couplings
- Moveable, Removable Platform Console Box
- 20 Amp Automatic, SCR Battery Charger
- Battery Charge Indicator in Platform
- 3 Degree Tilt Indicator Light and Alarm
- All Motion Alarm
- Manual Descent
- Tie Down Lugs
- Hourmeter
- Horn
- Load Sensing System
- Self Closing Gate

Accessories & Options

- 110V AC Power Pack (Inverter, not available on multi-powered models)
- Flashing Amber Beacon
- Hydraulic Leveling Jacks
- Platform Work Lights
- QuikCharge GenSet
- All-Wheel Drive

4069LE

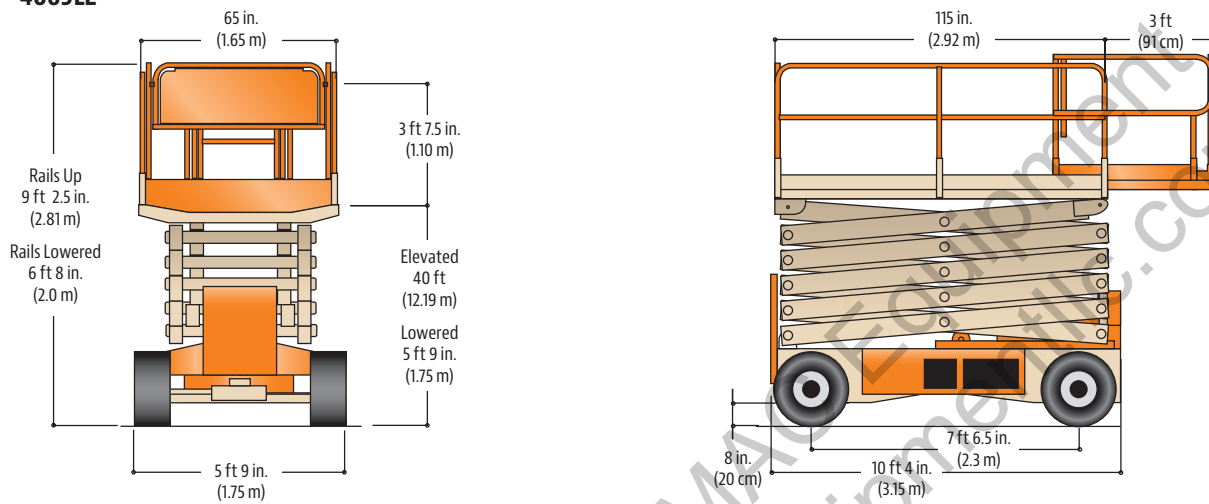
ELECTRIC SCISSOR LIFT



Dimensions

All dimensions are approximate.

4069LE



Compliments of MACE Equipment Pte. Ltd.
<https://www.maceequipment.com/>

The JLG "1 & 5" Warranty

We provide coverage for one (1) full year, and cover all specified major structural components for five (5) years. Due to continuous product improvements, we reserve the right to make specification and/or equipment changes without prior notification. This machine meets or exceeds applicable ANSI and CSA requirements based on machine configuration as originally manufactured for intended applications. Please reference the serial number plate on the machine for additional information.

JLG South East Asia Branch

35 Tuas Avenue 2,
Singapore 639464
Tel: +65 65919368

Part No.: 3131502
R1219_A92.20
Printed in USA



JLG Industries, Inc.

1 JLG Drive
McConnellsburg, PA 17233-9533
Telephone 717-485-5161
Toll-free in US 877-JLG-LIFT
Fax 717-485-6417

www.jlg.com

An Oshkosh Corporation Company